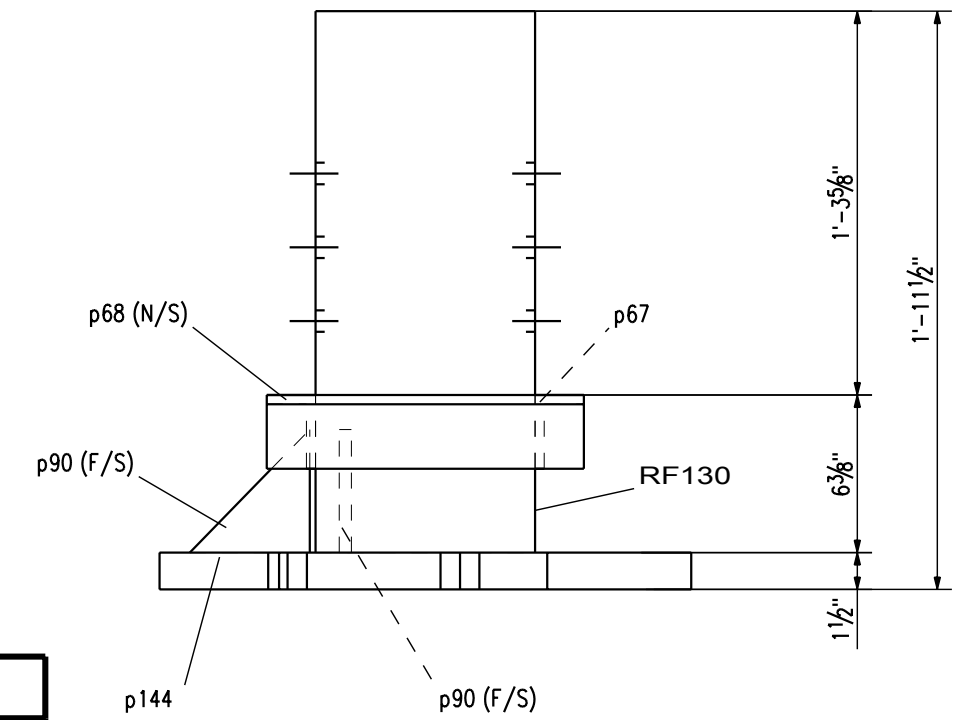
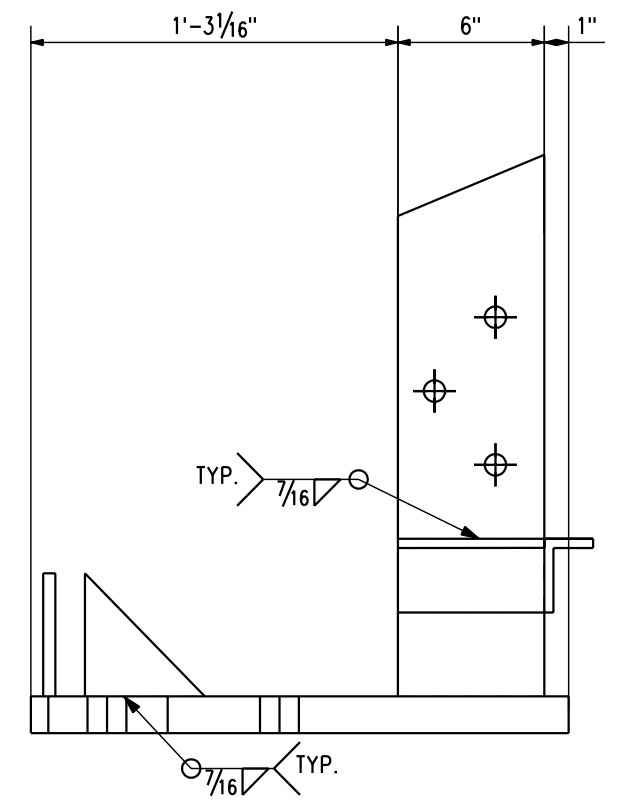
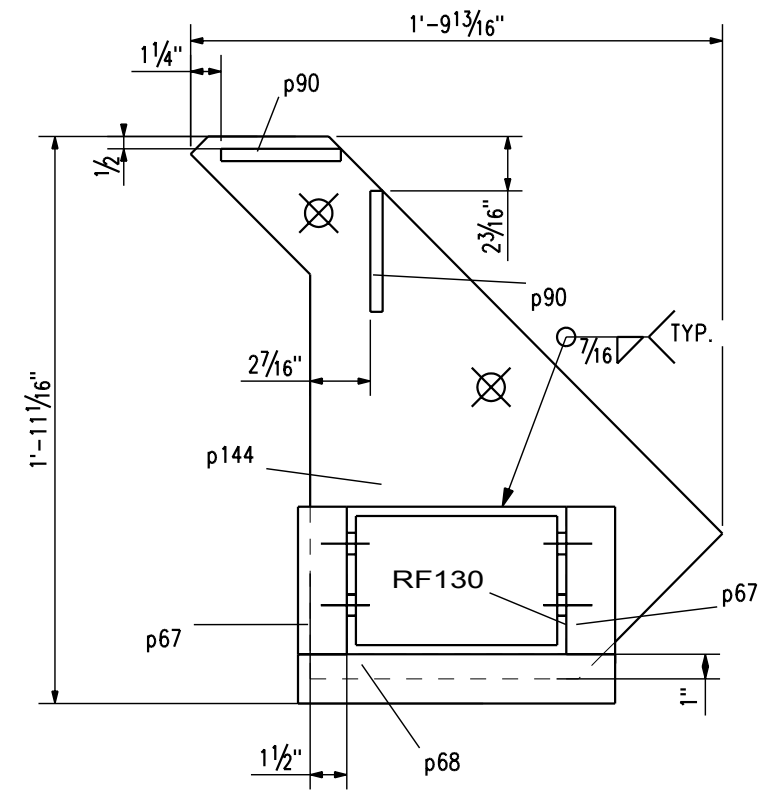
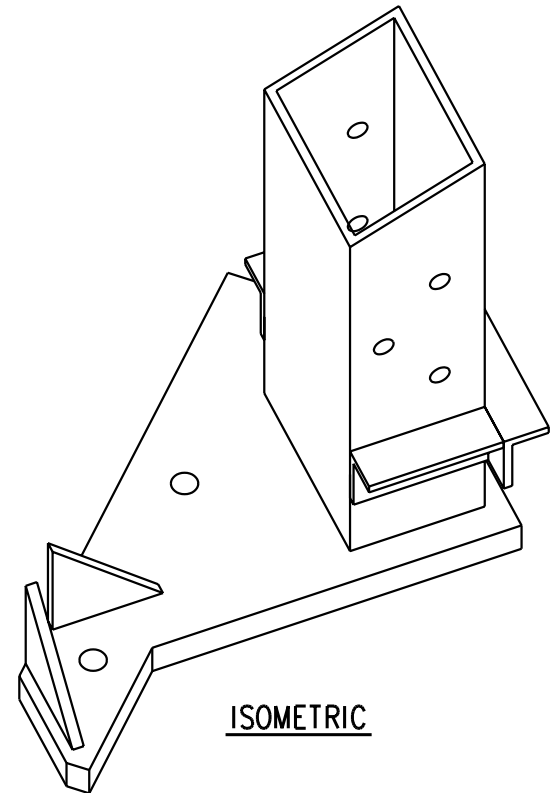


REV	DATE	REMARKS



Drawing Number	Rev #	Ship Mark	Piece Mark	Quantity	Size of Material	Grade	Length	Finish	Notes
RF130	0	RF130	RF130	1	HSS9X6X.375	A500-B	1'-10"		
RF130	0		p67	2	L3X2X3/8	A36	0'-6"		
RF130	0		p68	1	L3X2X3/8	A36	1'-1"		
RF130	0		p90	2	PLT1/2X4 15/16	A36	0'-5"		
RF130	0		p144	1	PLT1 1/2X16 1/8	A36	2'-2 5/16"		

1 ASSEMBLIES REQUIRED AS DRAWN

Structures Plus Tulare, CA Ph: 559-685-0415 License #747262 www.structuresplus.com				SHEET NO: RF130
	DESC:	CREATED: 10/13/2004 BY:	CHECKED: 00/00/0000 BY:	MODIFIED: 10/18/2004 BY: